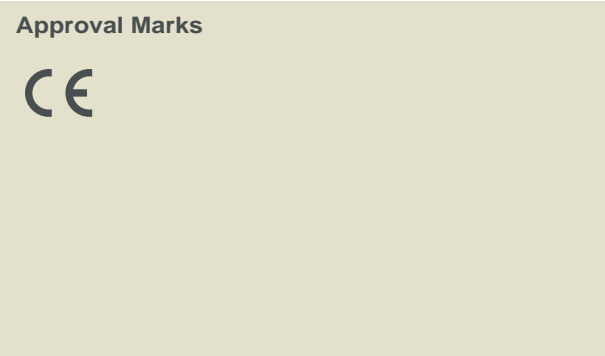


12-24VDC



Electronic

Parameter	Conditions	Min	Nom	Max	Unit
I/P Voltage Range		-	12-24	-	Vdc
Input Frequency		-	0	-	Hz
Output Power(Pout)	25°C,Nominal Input	0	-	50-100	W
Input Current(Iin)	25°C,Nominal Input(Max Load)	-	4.4	-	A
Output Voltage(Vout)	25°C,Nominal Input	11-23	12-24	13-25	Vdc
Output Current(Iout)	Per / Channel	0	4.2	4.2	A
Dimmer		1	-	10	V
Protection	Overload Protection				
	Short Circuit Protection				
Ambient Temp.		-20	-	+50	°C

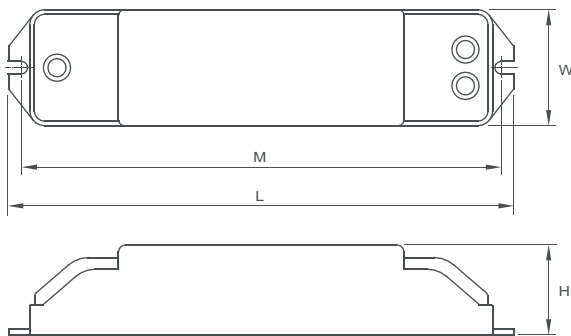
Lamp Type Low Power LED

Application Space

Indoor Use
(Low Humidity, No Condensation)

Physical

Parameter



- L : 167 mm H : 29.3 mm
- M : 158.6 mm K :
- N : R : 2.1 mm
- W : 38.4 mm Slot On One Side Allowing Alignment : M+/-3 mm
- Tolerance : $\geq 0 \sim 100 \geq +/0.5$ mm
- $100 \sim \geq +/1$ mm
- Terminal Block : Screws Terminal
- Housing Material : Polycarbonate
- Soldering : Lead-Free, Comply With RoHS
- Label : Surface Print

Wiring Diagram

