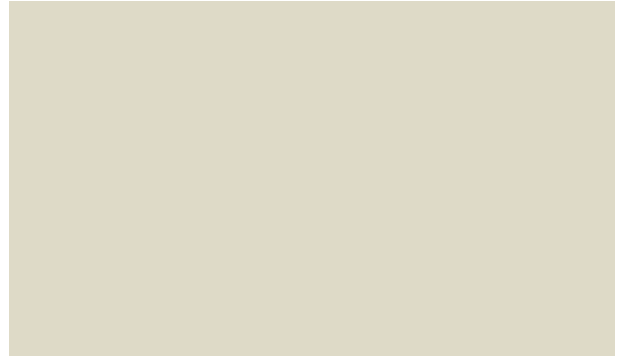


**100V-240V AC**



**Electronic**

| Parameter             | Conditions                 | Min | Nom   | Max | Unit |
|-----------------------|----------------------------|-----|-------|-----|------|
| I/P Voltage Range     |                            | 90  | 230   | 264 | Vac  |
| Input Frequency       |                            | 47  | 50-60 | 63  | Hz   |
| Output Power (Pout)   | High Power LED 1CH         | 3   | -     | 18  | W    |
| Input Current (Iin)   | 25°C, Nominal Input@230VAC | -   | 100   | -   | mA   |
| Output Voltage (Vout) |                            | 3   | -     | 22  | Vdc  |
| Output Current(Iout)  | 25°C, Nominal Input        | 0   | -     | 700 | mA   |
| Power Factor          | Full Load                  | -   | 0.95  | -   |      |
| Dimmer                |                            | 1   | -     | 10  |      |
| Protection            | Short Circuit Protection   |     |       |     |      |
| Ambient Temp.         |                            | -20 | -     | +50 | °C   |

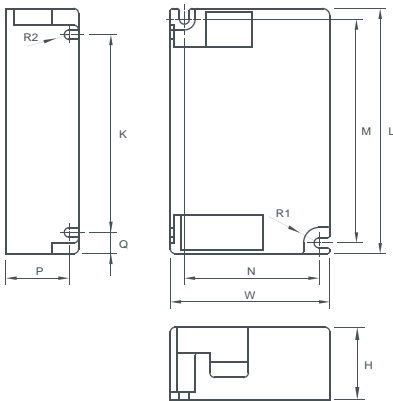
**Lamp Type**    High Power LED 3W x 1~6

**Application Space**

Indoor Use  
(Low Humidity, No Condensation)

**Physical**

**Parameter**



- L : 103 mm    P : 26.5 mm
- M : 94 mm    K : 83.1 mm
- N : 56.6 mm    Q : 4 mm
- W : 67 mm    R1 : 2.1 mm
- H : 30.5 mm    R2 : 2 mm

Slot On One Side Allowing Alignment : M+/-3 mm

Tolerance :  $\geq 0 \sim 100 \geq \pm 0.5\text{mm}$   
 $100 \geq \pm 1\text{ mm}$

Terminal Block : PRI : Push-Button  
 SEC : Push-Button

Housing Material : Polycarbonate

Soldering : Lead-Free, Comply With RoHS

Label : Surface Print

**Wiring Diagram**

