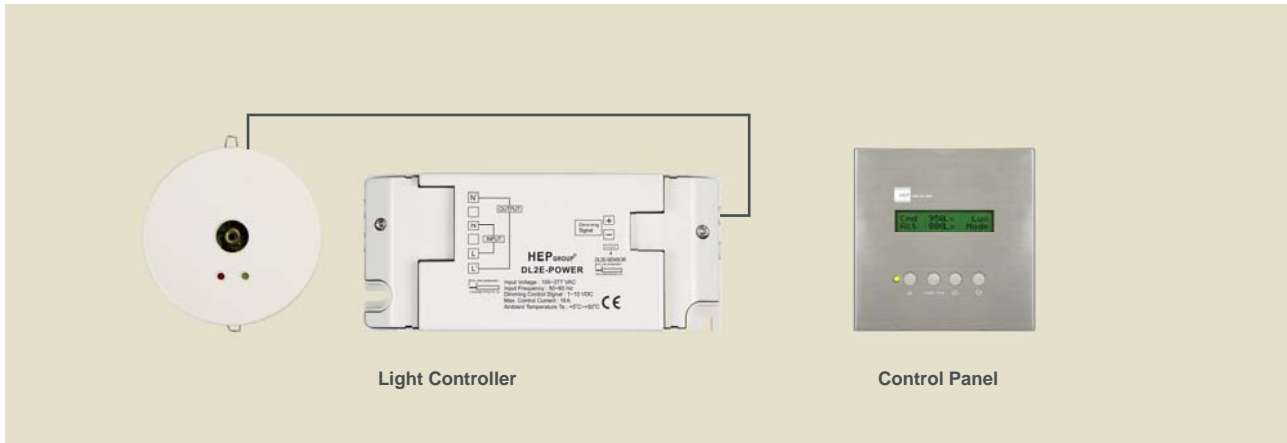


100-277VAC



Control Panel(DL2E-Panel)

Parameter	Min	Nom	Max	Unit
Input Voltage (supplied by light controller)	-	5	-	VDC
Digital Communication Interface				
LCD Module Display on Control Panel				
Dimming UP/DOWN Function				
Power ON/OFF Function				
Power Status Indicator				
Actual Luminance Shown In Real Time				
Operation Guidance				
Fault Indicator				
Trouble Shooting Guidance				
Number of Addressable Controllers(DL2E-Sensor+DL2E-Power)	1	-	8	Pcs

Light Controller (DL2E-Sensor + DL2E-Power)

Parameter	Min	Nom	Max	Unit
Input Voltage Range	-	100-277	-	VAC
Input Frequency	-	50-60	-	Hz
Number of Controlled Dimmable Ballast driven (SD254-58 UNI+T8 58W*2) @100Vac	-	16	-	Pcs
Number of Controlled Dimmable Ballast driven (SD254-58 UNI+T8 58W*2) @230Vac	-	20	-	Pcs
Dimming Control Signal	1	-	10	VDC
Operating Ambient Temp	+5	-	+50	°C
Max. Output Current	-	-	20	A
Digital Communication Interface				
Calibration Function Embedded				
Power Status Indicator				

Dimension

Control Panel (DL2E-Panel)	L x W x H	117.6 x 110.8 x 22.8	mm
Light Controller (DL2E-Sensor)	φ x H	90 x 30	mm
Light Controller (DL2E-Power)	L x W x H	153 x 30.5 x 67	mm

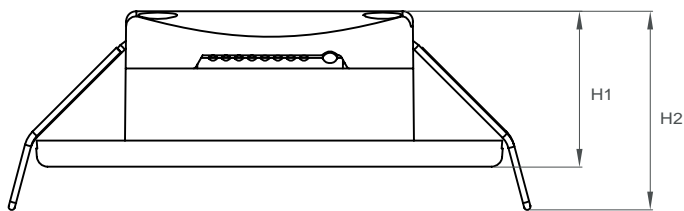
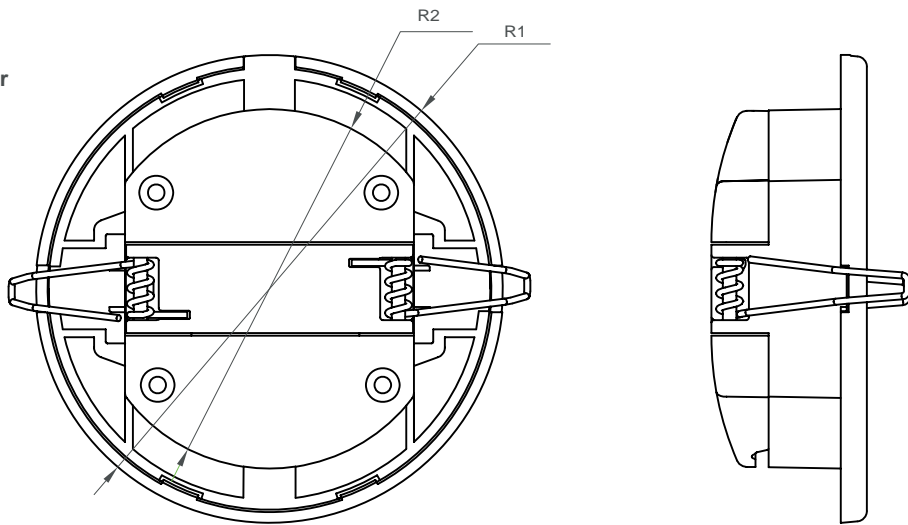
Control Mode

Address Setting Mode
Dimming Mode
Lux Control Mode
Sensitivity Setting Mode
Calibration Mode

Physical

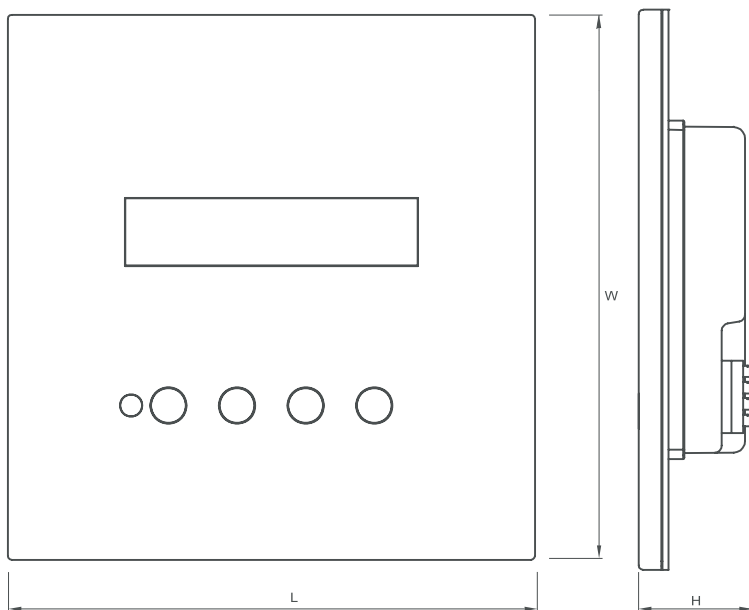
Parameter

DL2E-Sensor



R1 : 90 mm H1 : 30 mm
 R2 : 69.10 mm H2 : 38.2 mm
 Tolerance : $\geq 0 \sim 100 \geq \pm 0.5$ mm
 100 $\sim \geq \pm 1$ mm

DL2E-Panel

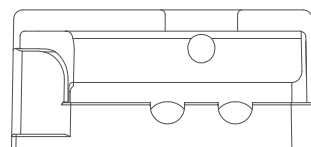
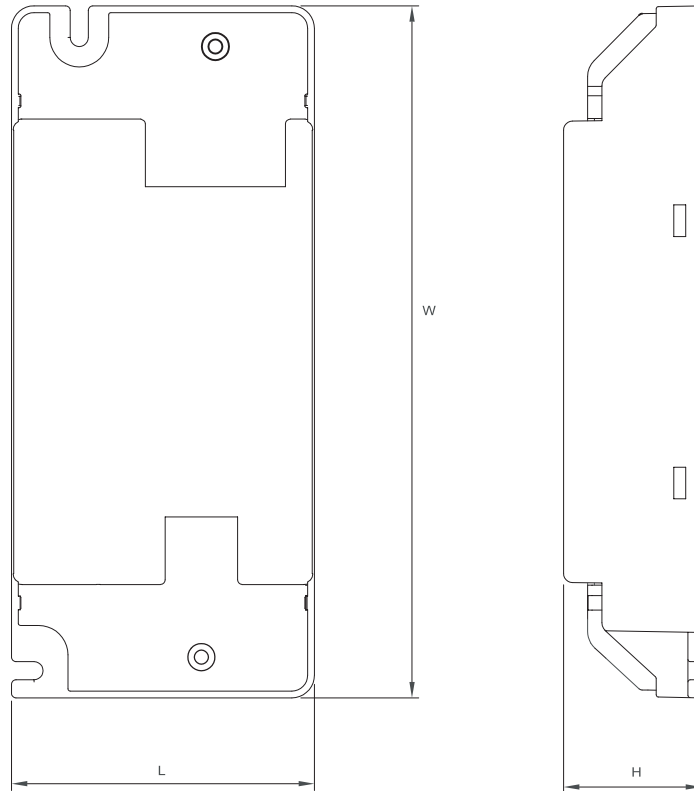


L : 117.6 mm H : 2.28 mm
 W : 110.8 mm
 Tolerance : $\geq 0 \sim 100 \geq \pm 0.5$ mm
 100 $\sim \geq \pm 1$ mm

Physical

Parameter

DL2E-Power



L : 153 mm H : 30.5 mm
 W : 67 mm
 Tolerance : $\geq 0 \sim 100 \geq \pm 0.5$ mm
 $100 \sim \geq \pm 1$ mm

Wiring Diagram

